



Earthtrack LED Lighting Catalogue



**INDUSTRIAL LED FOR
WORK & PLAY**

www.earthtrackgroup.com



INTRODUCTION

Earthtrack Lighting is a business solely dedicated to quality lighting products, which are guaranteed to meet and exceed the requirements of all our customers. All our products are... "built to last."

We specialize in heavy duty LED for the Mining, Agricultural, 4WD, Transport and Marine Industries

All our products are of the highest quality and have been proven and tested. All products come with a full warranty giving our valued customers total peace of mind.

We are constantly striving to expand and improve our product range and to keep up to date with the rapid advancement in lighting technology.



**WORK
LIGHTS
P5**



**LIGHT
BARS
P23**



**DRIVING
LIGHTS
P37**



**ACCESSORIES
P57**



earthtrack... keeping resources moving



WORK LIGHTS



WORK LIGHTS

L.E.D.



Large Cooling Fins for efficient heat dissipation



Tough Aluminum Housing



Waterproof Connectors - For perfect, hassle free connections



Life time of 50,000 hours



Heavy Duty Stainless Bracketry & Fixings with mounting Rubbers to Absorb Vibration

WORK LIGHTS



Tough Polycarbonate Lenses



Waterproof & Dust proof - IP68, IP69



High Output L.E.D.'s with a Life time of 50,000 hours



Range of Beam Types & Lamp Sizes available



Instant Full Light Output

TRIED, TESTED AND PROVEN



4WD AND OFFROAD



MINING INDUSTRY



AG INDUSTRY

Please Note : Not all the Dura Vision lamps have all the features shown above

ENFORCER 60W



AUSTRALIAN DESIGN
REGISTRATION
NUMBER 344332

The all new DURA VISION Enforcer 60W LED light offers the very latest high powered LED technology, ideal for use on heavy duty mining and construction vehicles.

Superbly compact and exceptionally tough, it offers a substantial 145 degrees of adjustment, ensuring a solution to the most demanding applications.

The Enforcer features revolutionary high output optics that produce optimum light levels, along with the utilization of high quality Cree XP-G L.E.D.'s, controlled by Electronic Thermal Control.

Electronic Thermal Management

ETM monitors the heat output of the LEDs and makes use of integrated Pulse Width Modulation circuitry in order to maintain safe operating temperatures which prolong the LED life span to its full 50,000 hours.

Pulse Width Modulation

The Enforcer Lamp utilizes integrated Pulse Width Modulation (PWM) dimming circuitry to manage heat levels. PWM works by flashing the LED at a frequency faster than the human eye can detect, reducing the time that the LED is operating while still delivering 100% light output.

SPECIFICATIONS

SIDE MOUNT

Wattage	60 Watt
Light Source	12 x 5W L.E.D.'s
Light Output	5910 Lumens
Voltage	9V-32V DC
Current Draw	5A @ 12V
Operating Temp.	-40°C to +80°C
Vibration	25G rms
IP Rating	IP69
Connector Type	Deutsch DT 2 Pin
Housing	Die-Cast Alloy
Lens Construction	Polycarbonate
Bracket	5mm 316 S/Steel
Lifespan	50,000 Hours
Net Weight	2.5 kg
Mounting Suitable	Upright & Pendent
Beams Available	Wide Flood, Flood & Euro
Warranty	5 Years
Dimming Control	Yes (Optional)
PART NUMBERS	SIDE MOUNT
Euro Beam	DV512LEDEU/S
Wide Flood Beam	DV512LEDWF/S
Flood Beam	DV512LEDFB/S



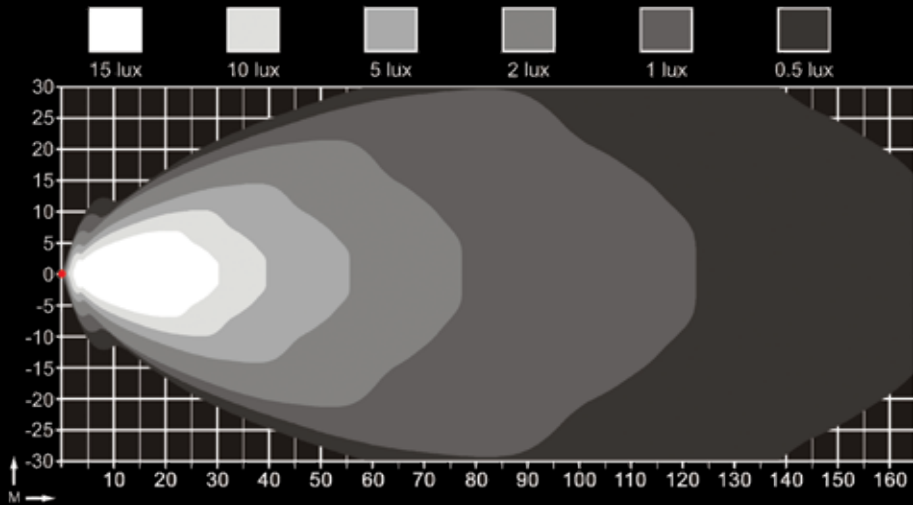
MOUNTING OPTIONS

a) Side Mount

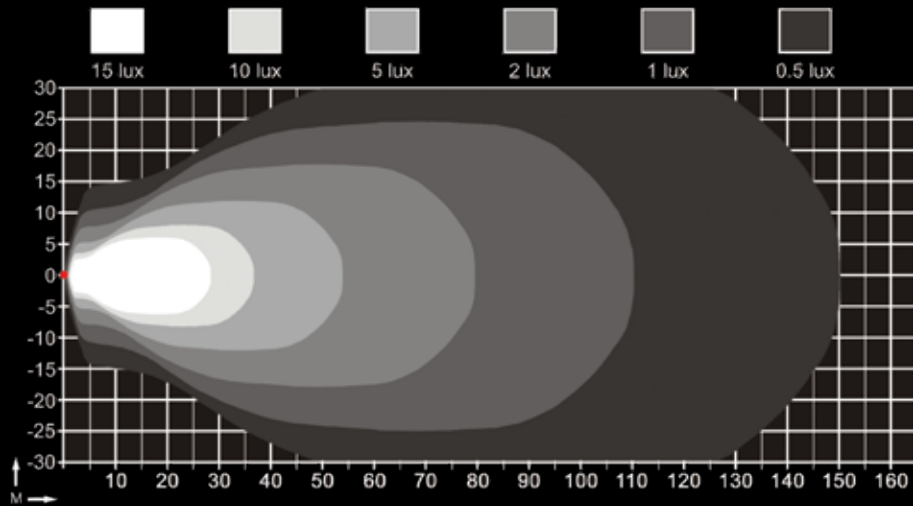


BEAM PATTERNS

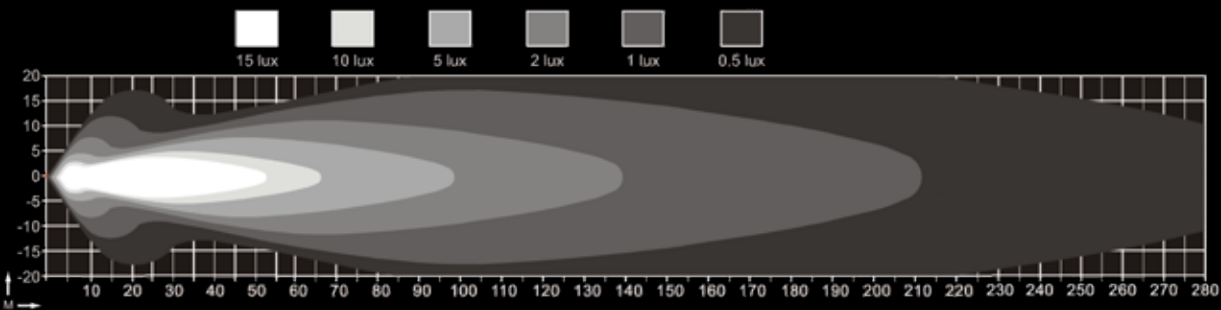
DV512LED - Wide Flood



DV512LED - Flood Beam



DV512LED - Euro Beam



HD WORK SERIES

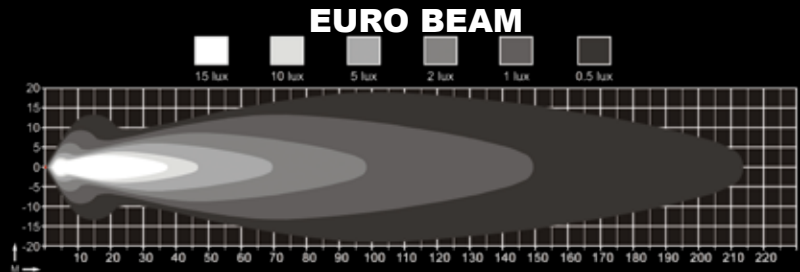


Also available with black or coloured rim.
Please enquire for pricing and availability.

The all new HD Work Series 50W LED light offers the very latest in high powered LED technology, ideal for use on heavy duty mining or construction equipment.

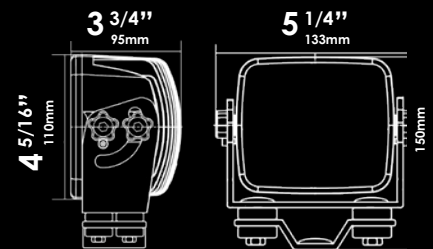
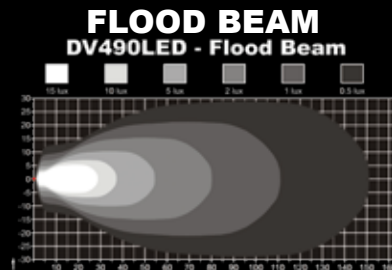
Superbly compact and exceptionally tough, it offers a substantial 145 degrees of adjustment, ensuring a solution to the most demanding applications.

The Dura Vision work lamp features revolutionary high output optics that produce optimum light levels, along with the utilization of high quality Cree 10W L.E.D.'s.



SPECIFICATIONS

Wattage	50 Watt
Light Source	5 x 10W Cree L.E.D.'s
Light Output	4700 Lumens
Voltage	9V-32V DC
Current Draw	4.1A @ 12V
Operating Temp.	-40°C to +85°C
Vibration	25G rms
IP Rating	IP69
Connector Type	Deutsch DT 2 Pin
Housing	Die-Cast Alloy
Lens Construction	Polycarbonate
Bracket	5mm 316 S/Steel
Lifespan	50,000 Hours
Net Weight	2.0kg
Mounting Suitable	Upright & Pendent
Beams Available	Wide Flood & Euro
Warranty	3 Year



STANDARD MOUNT



COMPACT SIDE MOUNT



PART NUMBERS

Heavy Duty Mount

Compact Side Mount

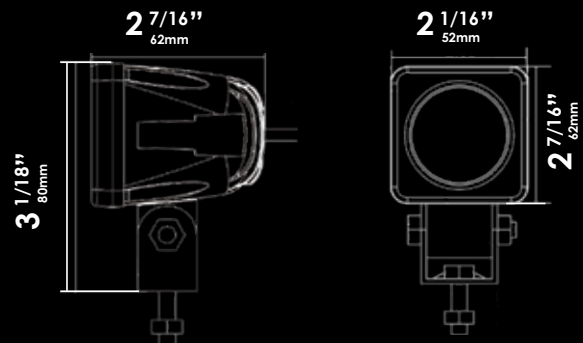
Standard Mount

Euro Beam	DV500LEDEU/Y	DV500LEDEU/CS	DV500LEDEU
Wide Flood Beam	DV500LEDWF/Y	DV500LEDWF/CS	DV500LEDWF

POD 10W



The Pod 10W LED light is an extremely compact and versatile model, suitable for numerous applications. The Pod is only 2" square but produces an impressive 900 lumens while only drawing 0.75 amps. It has the option of interlocking more than one light to another and features multiple mounting option including a handle bar mount and tow bar mount.



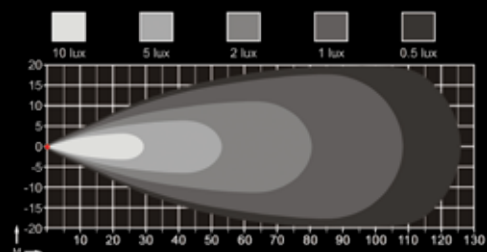
SPECIFICATIONS

Wattage	10 Watt
Light Source	1 x 10W L.E.D.'s
Light Output	900 Lumens
Voltage	9V-32V DC
Current Draw	0.75A @ 12V
Operating Temp.	-40°C to +80°C
Vibration	15.6G rms
IP Rating	IP68
Connector Type	Deutsch DT 2 Pin
Housing	Die-Cast Alloy
Lens Construction	Polycarbonate
Bracket	316 S/Steel
Lifespan	50,000 Hours
Net Weight	340g
Mounting Suitable	All Types
Beams Available	Flood Beam & Euro
Warranty	5 Years

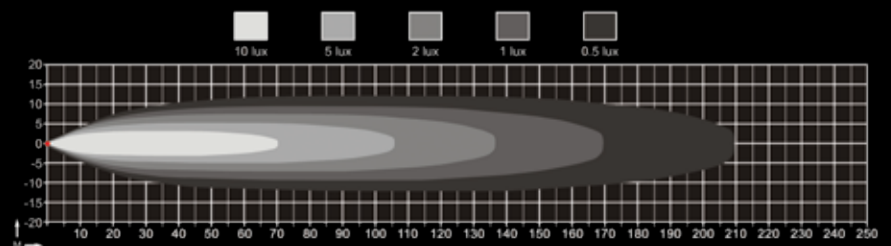
PART NUMBERS

Euro Beam	DV100LEDEU
Wide Flood Beam	DV100LEDWF

DV100LED - Flood Beam



DV100LED - Euro Beam

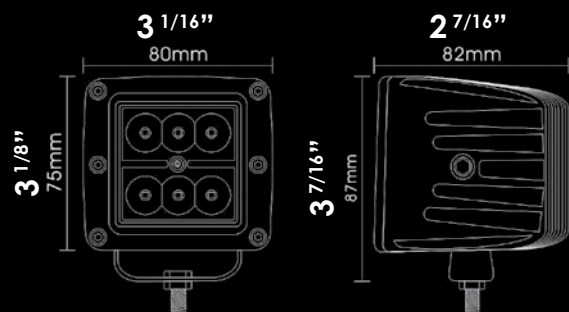


EXTREME II 18W



The Extreme II 18W LED Pod is a highly compact and versatile light suitable for a variety of applications. The Pod produces 1800 lumens while only drawing 1.34 amps. Available in two beam options: Euro Beam and Wide Flood.

The wide flood produces an impressively wide even spread of light, ideal for use as an extra reverse light, camping light or engine bay light. The Extreme II 18W Pod can be used in all industries.

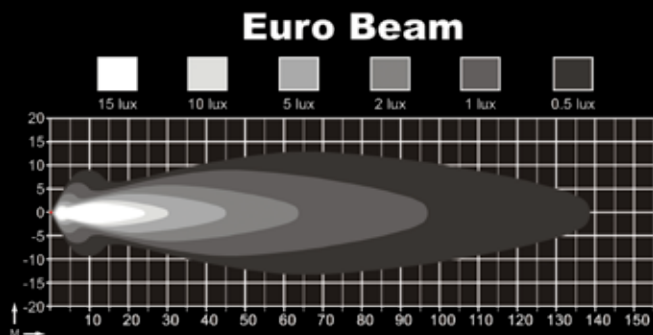
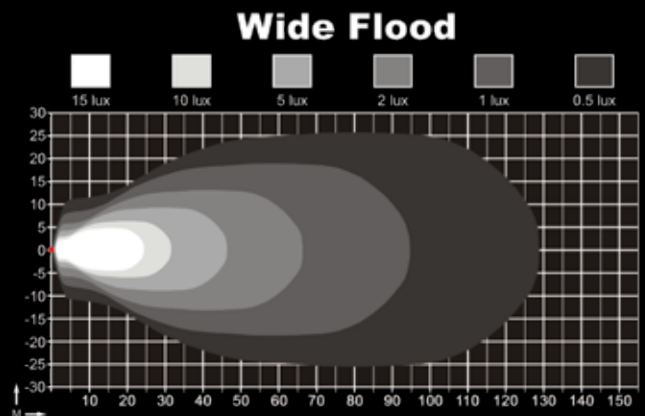


SPECIFICATIONS

Wattage	18 Watt
Light Source	6 x 3W CREE L.E.D.'s
Light Output	1800 Lumens
Voltage	9V-50V DC
Current Draw	1.34A @ 12V
Operating Temp.	-40°C to +80°C
Vibration	15G rms
IP Rating	IP68
Connector Type	Deutsch DT 2 Pin
Housing	Die-Cast Alloy
Lens Construction	Polycarbonate
Bracket	Stainless Steel - 316
Lifespan	50,000 Hours
Net Weight	700g
Mounting Suitable	All Types
Beams Available	Wide Flood & Euro
Warranty	1 Year

PART NUMBERS

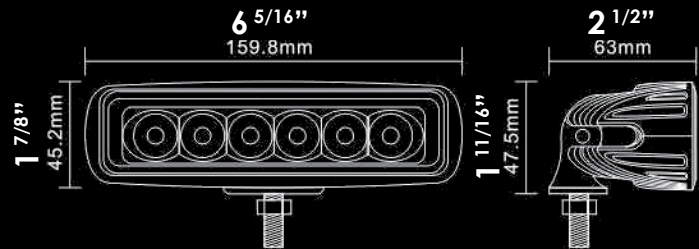
Euro Beam	DVX180LEDEU
Wide Flood Beam	DVX180LEDWF



EXTREME II SLIMLINE 18W

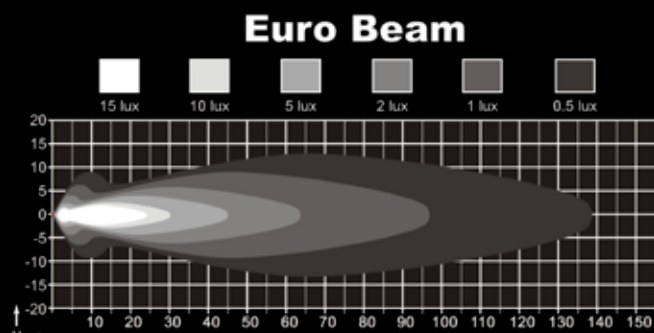
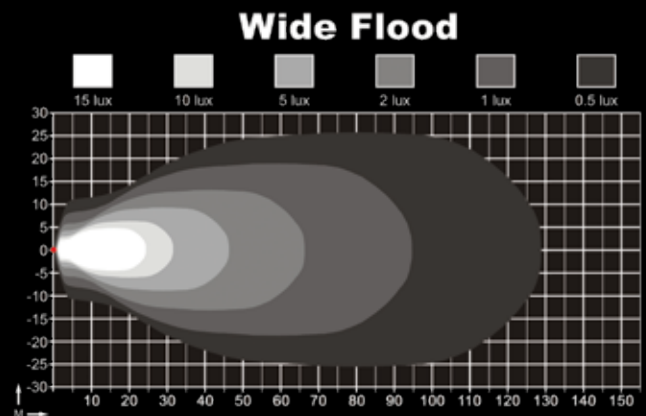


The Extreme II Slimline 18W LED is a streamlined and low profile light which suits numerous applications. The Slimline produces 1800 lumens while drawing only 1.34 amps. Available in two beam options: Euro Beam and Wide Flood. The wide flood produces an impressively wide even spread of light, ideal for use as an extra reverse light, camping light or engine bay light. The Extreme II 18W Slimline can be used in all industries.



SPECIFICATIONS

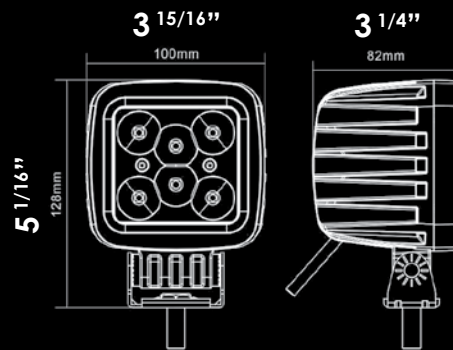
Wattage	18 Watt
Light Source	6 x 3W CREE L.E.D.
Light Output	1800 Lumens
Voltage	9V-50V DC
Current Draw	1.34A @ 12V
Operating Temp.	-40°C to +80°C
Vibration	15G rms
IP Rating	IP68
Connector Type	Deutsch DT 2 Pin
Housing	Die-Cast Alloy
Lens Construction	Polycarbonate
Bracket	Stainless Steel - 316
Lifespan	50,000 Hours
Net Weight	500g
Mounting Suitable	All Types
Beams Available	Wide Flood & Euro
Warranty	1 Year
PART NUMBERS	
Euro Beam	DVXS180LEDEU
Wide Flood Beam	DVXS180LEDWF



EXTREME II 30W



The Extreme II 30W LED work pod is a compact and versatile light suitable for a variety of applications. The Pod is only 3 inches square but produces an impressive 3100 lumens while drawing only 2.34 amps. Available in two beam types: Euro Beam and Wide Flood. The wide flood produces an impressively wide even spread of light, ideal for use with small to medium excavators, skid steers, wheel loaders or road graders and other construction and logging machinery. These lights can be used in all industries.

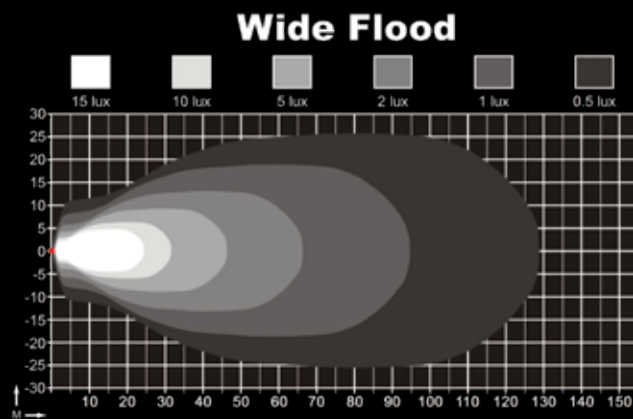


SPECIFICATIONS

Wattage	30 Watt
Light Source	6 x 5W CREE L.E.D.'s
Light Output	3100 Lumens
Voltage	9V-50V DC
Current Draw	2.34A @ 12V
Operating Temp.	-40°C to +80°C
Vibration	15G rms
IP Rating	IP68
Connector Type	Deutsch DT 2 Pin
Housing	Die-Cast Alloy
Lens Construction	Polycarbonate
Bracket	Stainless Steel - 316
Lifespan	50,000 Hours
Net Weight	900g
Mounting Suitable	All Types
Beams Available	Wide Flood
Warranty	1 Year

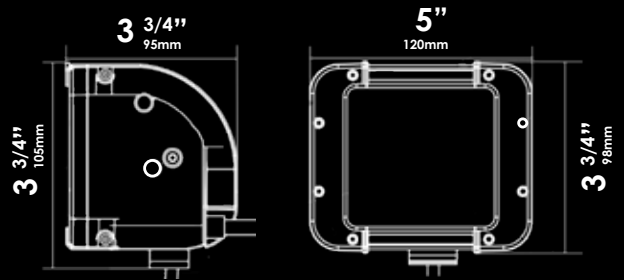
PART NUMBERS

Wide Flood Beam	DVX350LEDWF
-----------------	-------------



TORNADO 40W

The Tornado 40W is a compact lamp that produces large light output. It features stainless steel mounting brackets, polycarbonate lens and a waterproof alloy housing, making it suitable for the 4WD/ Offroad, marine, agricultural or mining industries.



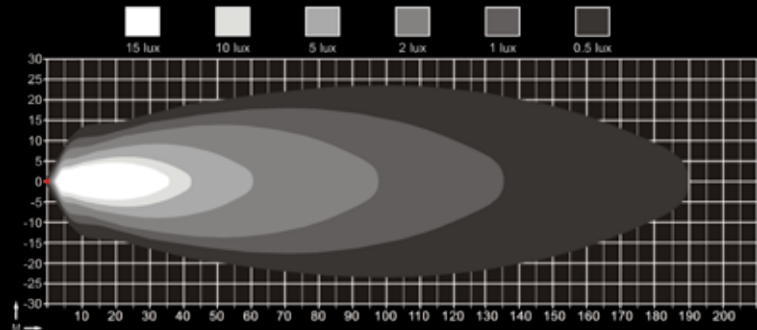
SPECIFICATIONS

Wattage	40 Watt
Light Source	4 x 10W Cree L.E.D.'s
Light Output	3800 Lumens
Voltage	9V-48V DC
Current Draw	3.33A @ 12V
Operating Temp.	-40°C to +80°C
Vibration	15G rms
IP Rating	IP68
Connector Type	Deutsch DT 2 Pin
Housing	Die-Cast Alloy
Lens Construction	Polycarbonate
Bracket	Stainless Steel
Lifespan	50,000 Hours
Net Weight	1.0 kg
Mounting Suitable	All Types
Beams Available	Wide Flood & Euro
Warranty	3 Years

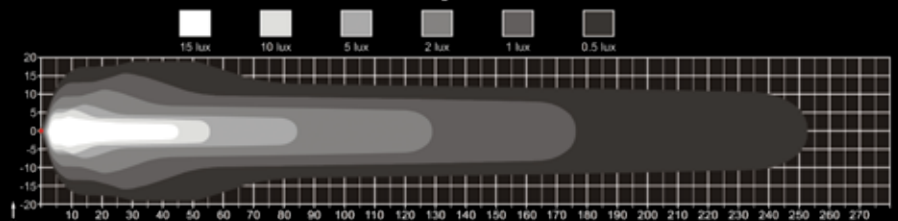
PART NUMBERS

Euro Beam	DVD104LEEU
Wide Flood Beam	DVD104LEDWF

DVD104LED - Flood Beam



DVD104LED - Spot Beam



TORNADO 80W

The Tornado 80W LED features a low profile and is ideal for applications where large light output is required as this light produces a massive 7600 lumens. The heavy duty option includes a mounting bracket specially designed to withstand abuse caused by constant heavy vibration experience on mine or other construction sites.



HEAVY DUTY

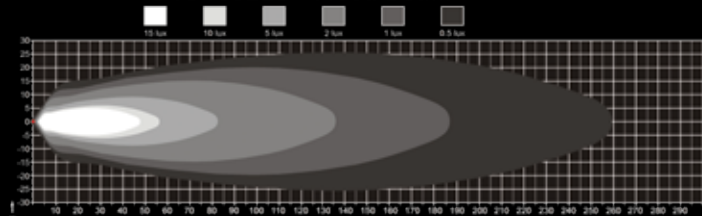
STANDARD MOUNT



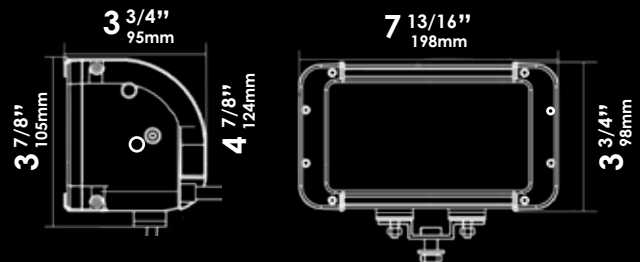
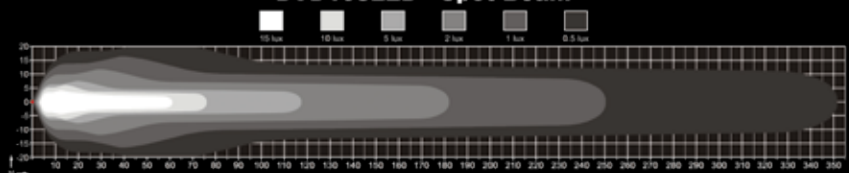
SPECIFICATIONS

Wattage	80 Watt
Light Source	8 x 10W Cree L.E.D.'s
Light Output	7600 Lumens
Voltage	9V-48V DC
Current Draw	6.6A @ 12V
Operating Temp.	-40°C to +80°C
Vibration	15G rms
IP Rating	IP68
Connector Type	Deutsch DT 2 Pin
Housing	Die-Cast Alloy
Lens Construction	Polycarbonate
Bracket	Stainless Steel
Lifespan	50,000 Hours
Net Weight	1.65 kg
Mounting Suitable	All Types
Beams Available	Wide Flood & Euro
Warranty	3 Years

DVD108LED - Flood Beam



DVD108LED - Spot Beam



PART NUMBERS

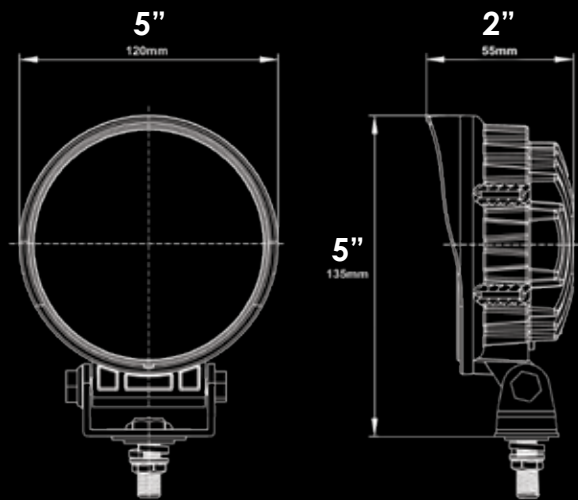
Normal Duty

Heavy Duty

Euro Beam	DVD108LEDEU	DVD108LEDEU/HD
Wide Flood Beam	DVD108LEDWF	DVD108LEDWF/HD

UTILITY SERIES: DV900

This compact and versatile 27W light is suitable for a large range of applications. From rear reverse lights, camping lights to lighting for small agricultural tractors and equipment. These universal lights are extremely popular. The 9 LED lights produce 1970 lumens. The DV900 is available with a round or square body and comes standard with a stainless steel bracket.



SPECIFICATIONS

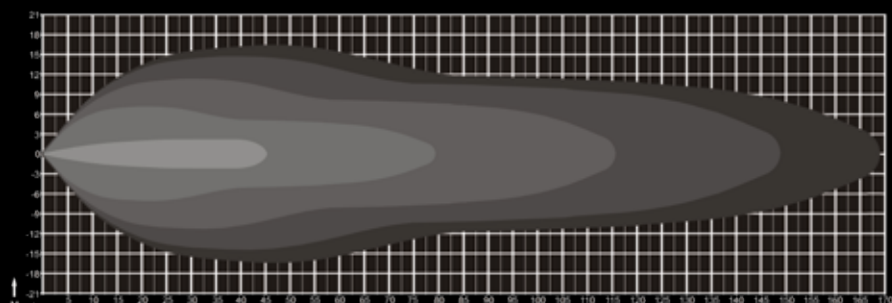
Wattage	27 Watt
Light Source	9 x 3W L.E.D.'s
Light Output	1970 Lumens
Voltage	9V-30V DC
Current Draw	2.0A @ 12V
IP Rating	IP68
Housing	Die-Cast Alloy
Lens Construction	Polycarbonate
Bracket	Stainless Steel
Lifespan	50,000 Hours
Net Weight	900g
Mounting Suitable	All Types
Beams Available	Flood Beam

PART NUMBERS

Flood Beam - Round	DV900LEDWF/R
Flood Beam - Square	DV900LEDWF/S



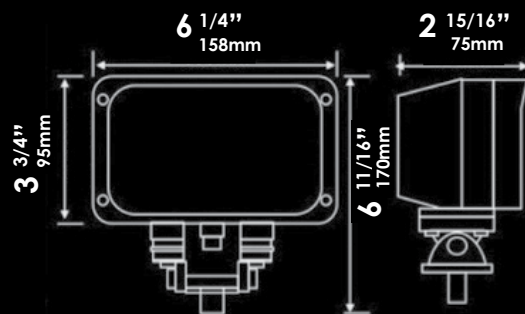
DV900LED BEAM PATTERN



WORK BUDDY 45W



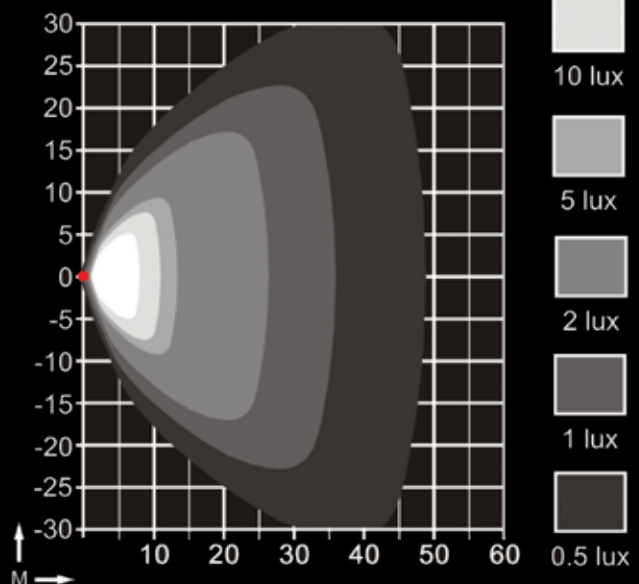
The Work Buddy 45W LED rectangle work light is versatile and compact model which is suitable for a variety of applications. The light produces 2300 lumens while drawing only 1.64 amps. Available in the wide flood beam which produces a super wide and even spread of light ideal for use on service trucks, rear decks on trailers and commercial vehicles. These lamps may be used in all industries.



SPECIFICATIONS

Wattage	45 Watt
Light Source	15 x 3W CREE L.E.D.'s
Light Output	2300 Lumens
Voltage	9V-50V DC
Current Draw	1.64A @ 12V
Operating Temp.	-40°C to +80°C
Vibration	15G rms
IP Rating	IP68
Connector Type	Deutsch DT 2 Pin
Housing	Die-Cast Alloy
Lens Construction	Polycarbonate
Bracket	Stainless Steel - 316
Lifespan	50,000 Hours
Net Weight	310g
Mounting Suitable	All Types
Beams Available	Wide Flood
Warranty	1 Year
PART NUMBERS	
Wide Flood Beam	DVWB450LED

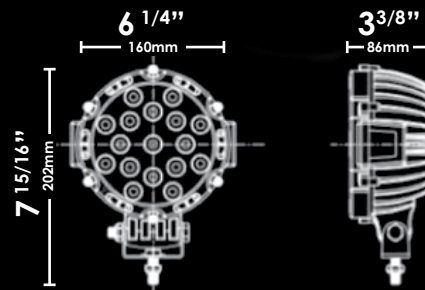
Flood Beam



WORK BUDDY 50W



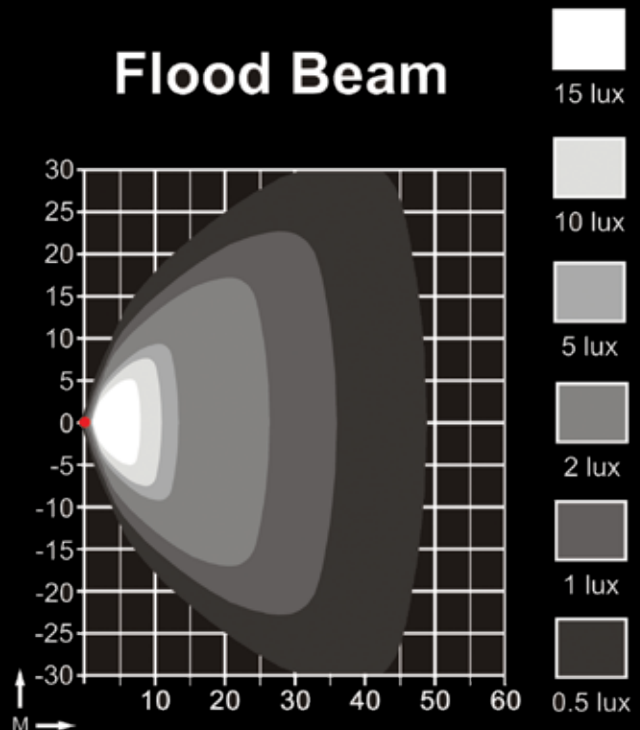
The Work Buddy 50W LED is a versatile light, suitable for a variety of applications. The Work Buddy features a handle for adjustment to your work area and produces 2800 lumens while only drawing 1.84 amps. Available in the wide flood beam which produces a super wide even spread of light. Ideal for use on service trucks, rear decks on trailers and pick-ups. These lights can be used in all industries.



SPECIFICATIONS

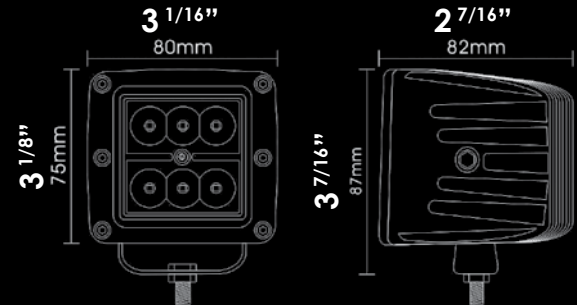
Wattage	50 Watt
Light Source	17 x 3W CREE L.E.D.'s
Light Output	2800 Lumens
Voltage	9V-50V DC
Current Draw	1.84A @ 12V
Operating Temp.	-40°C to +80°C
Vibration	15G rms
IP Rating	IP68
Connector Type	Deutsch DT 2 Pin
Housing	Die-Cast Alloy
Lens Construction	Polycarbonate
Bracket	Stainless Steel - 316
Lifespan	50,000 Hours
Net Weight	340g
Mounting Suitable	All Types
Beams Available	Wide Flood
Warranty	1 Year
PART NUMBERS	
Wide Flood Beam	DVWB500LEDWF

Flood Beam



Q-BRITE

The 30W LED Pods are an extremely compact pair of lights with countless applications. They produce 5,040 Lumens while drawing a minimal 3.6 amps. These lights are multi-volt and so versatile that they can be used in all industries.

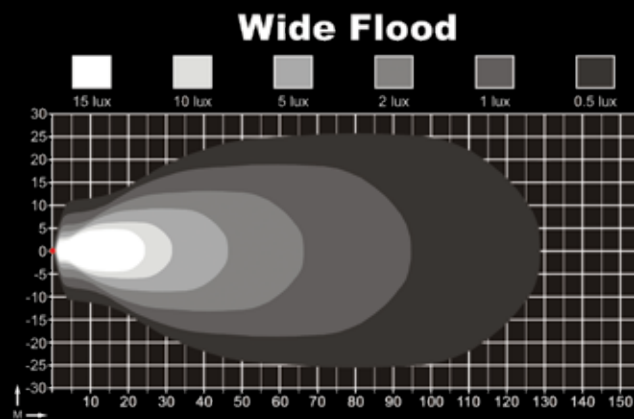


SPECIFICATIONS

Wattage	30 Watt x 2
Light Source	6 x 5W CREE LED's
Light Output	2520 Lumens each
Voltage	9V-50V DC
Current Draw	2.34A @ 12V each
Operating Temp.	-40°C to +80°C
Vibration	15G rms
IP Rating	IP68
Connector Type	Deutsch DT 2 Pin
Housing	Die-Cast Alloy
Lens Construction	Polycarbonate
Bracket	Stainless Steel - 316
Lifespan	50,000 Hours
Net Weight	340g
Mounting Suitable	All Types
Beams Available	Wide Flood
Warranty	1 Year

PART NUMBERS

Wide Flood Beam	DVQ30LED
-----------------	----------





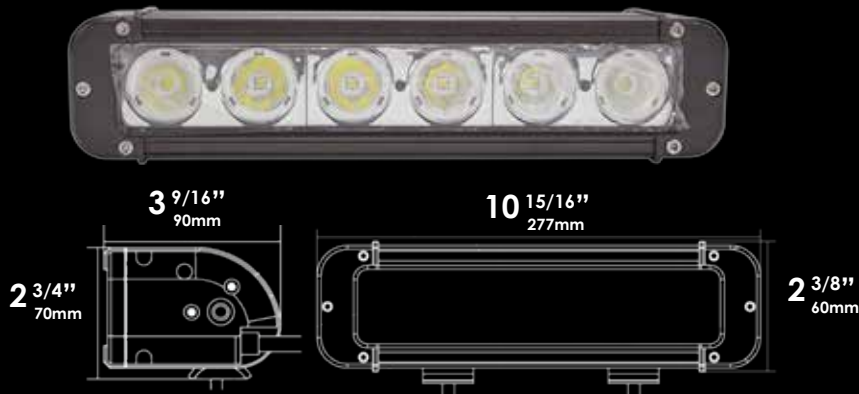
earthtrack... keeping resources moving



LIGHT BARS



TORNADO 60W



The Tornado 10-Inch 60W LED light produces 5700 lumen from its American Cree LED's. This low profile, extremely compact light bar is designed to withstand harsh treatment caused by heavy vibration experienced on rough off-road tracks.

TORNADO 100W



The Tornado 17-Inch 100W LED light bar produces an impressive 9500 lumen output. This low profile and extremely compact light is designed to withstand harsh treatment found on rough off-road tracks.

TORNADO 120W



The Tornado 20-Inch 120W LED light bar produces a massive 11,400 lumen output. This low profile, extremely compact light bar is designed to withstand the harsh conditions of the rough off-road tracks.

LIGHT BARS

SPECIFICATIONS

Wattage	60 Watt
Light Source	6 x 10W Cree L.E.D.'s
Light Output	5700 Lumens
Voltage	9V-48V DC
Current Draw	5A @ 12V
Operating Temp.	-40°C to +80°C
Vibration	15G rms
IP Rating	IP68
Connector Type	Deutsch DT 2 Pin
Housing	Aluminum
Lifespan	50,000 Hours
Net Weight	1.5 kg
Warranty	3 Years
Beams Available	Combo & Flood Beam

PART NUMBERS

Combo Beam **DVS106LEDE**



SPECIFICATIONS

Wattage	100 Watt
Light Source	10 x 10W Cree L.E.D.'s
Light Output	9500 Lumens
Voltage	9V-48V DC
Current Draw	8.3A @ 12V
Operating Temp.	-40°C to +80°C
Vibration	15G rms
IP Rating	IP68
Connector Type	Deutsch DT 2 Pin
Housing	Aluminum
Lifespan	50,000 Hours
Net Weight	2.4 kg
Warranty	3 Years
Beams Available	Combo & Flood Beam

PART NUMBERS

Combo Beam **DVS110LEDE**

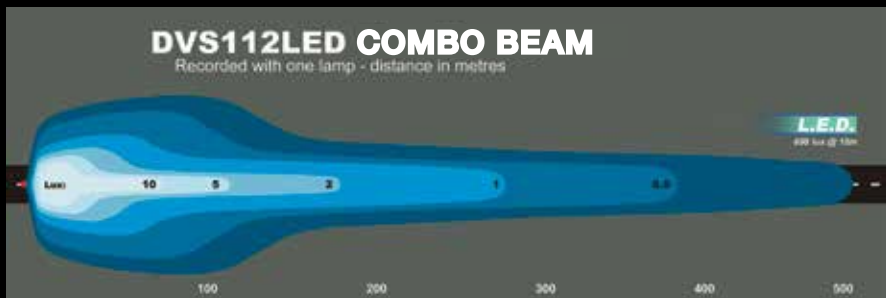


SPECIFICATIONS

Wattage	120 Watt
Light Source	12 x 10W Cree L.E.D.'s
Light Output	11400 Lumens
Voltage	9V-48V DC
Current Draw	10A @ 12V
Operating Temp.	-40°C to +80°C
Vibration	15G rms
IP Rating	IP68
Connector Type	Deutsch DT 2 Pin
Housing	Aluminum
Lifespan	50,000 Hours
Net Weight	2.8 kg
Warranty	3 Years
Beams Available	Combo & Flood Beam

PART NUMBERS

Combo Beam **DVS112LEDE**



TORNADO 180W

The Tornado 30-Inch 180W LED light bar produces a massive 17,100 lumen output. This streamlined and low profile light bar is designed to withstand the harsh conditions of the rough off-road tracks.



TORNADO 260W

The Tornado 42-Inch 260W LED light bar is the most powerful in our range of LED light bars, producing a substantial 24,700 lumen output. This extremely low profile light bar is designed to withstand the harsh conditions of rough off-road tracks.



TORNADO STACK 200W

The Tornado 17-Inch 200W stacked LED light bar is less than half the width of the Tornado 260W. This gives the option of placing the bars side by side to produce even more illumination on the road ahead.

Like all the Tornado range the Tornado Stack can be easily mounted with fully adjustable sliding rubber mounts.



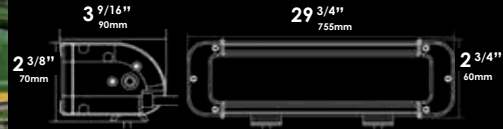
LIGHT BARS

SPECIFICATIONS

Wattage	180 Watt
Light Source	18 x 10W Cree L.E.D.'s
Light Output	17100 Lumens
Voltage	9V-48V DC
Current Draw	15A @ 12V
Operating Temp.	-40°C to +80°C
Vibration	15G rms
IP Rating	IP68
Connector Type	Deutsch DT 2 Pin
Housing	Aluminum
Lifespan	50,000 Hours
Net Weight	4.0 kg
Warranty	3 Years
Beams Available	Combo Beam

PART NUMBERS

Combo Beam	DVS118LEDE
------------	------------

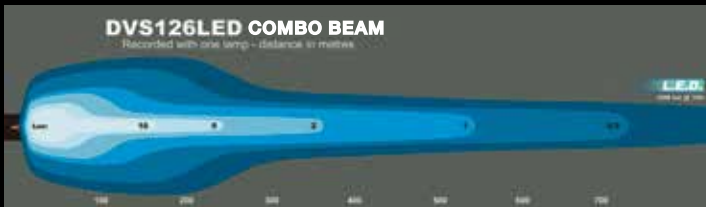
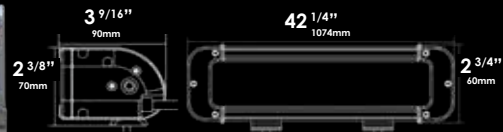


SPECIFICATIONS

Wattage	260 Watt
Light Source	26 x 10W Cree L.E.D.'s
Light Output	24700 Lumens
Voltage	9V-48V DC
Current Draw	22A @ 12V
Operating Temp.	-40°C to +80°C
Vibration	15G rms
IP Rating	IP68
Connector Type	Deutsch DT 2 Pin
Housing	Aluminum
Lifespan	50,000 Hours
Net Weight	5.6 kg
Warranty	3 Years
Beams Available	Combo Beam

PART NUMBERS

Combo Beam	DVS126LEDE
------------	------------

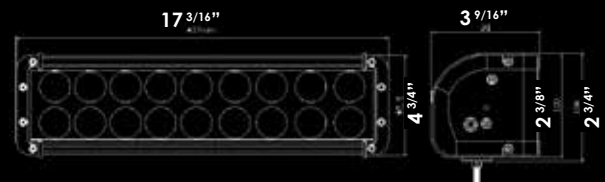


SPECIFICATIONS

Wattage	200 Watt
Light Source	20 x 10W Cree L.E.D.'s
Light Output	19000 Lumens
Voltage	9V-48V DC
Current Draw	17A @ 12V
Operating Temp.	-40°C to +80°C
Vibration	15G rms
IP Rating	IP68
Connector Type	Deutsch DT 2 Pin
Housing	Aluminum
Lifespan	50,000 Hours
Net Weight	4.0 kg
Warranty	3 Years
Beams Available	Combo Beam

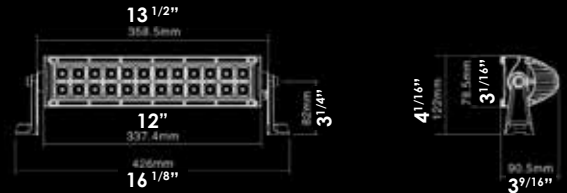
PART NUMBERS

Combo Beam	DVS200LEDE
------------	------------

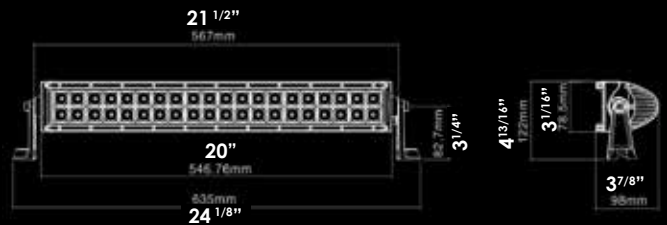


earthtrack... keeping resources moving

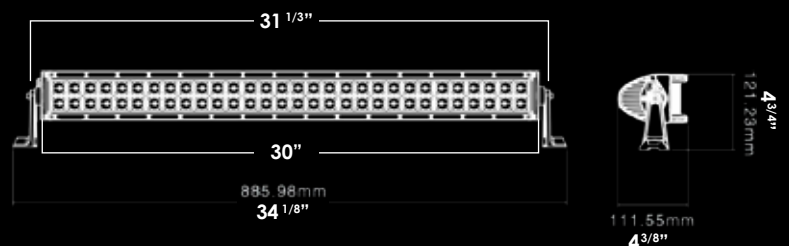
COMMANDER LIGHT BAR - 120W



COMMANDER LIGHT BAR - 200W



COMMANDER LIGHT BAR - 300W

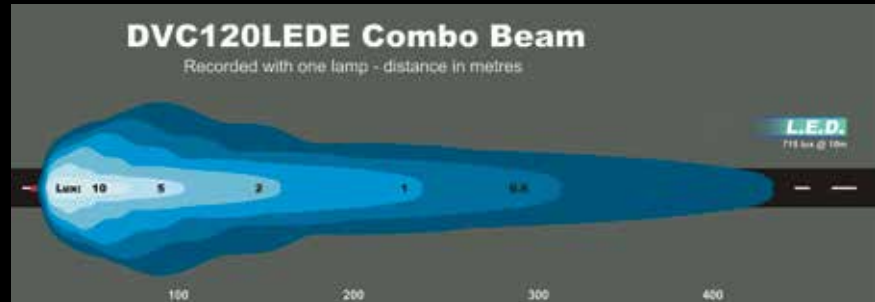


SPECIFICATIONS

Light Output	10,660 Lumens
Light Source	24 x 5W Cree L.E.D's
Current Draw	4.2A @ 12V
Vibration	15G rms
Wattage	120 Watts 6000k
Voltage	10V-32V DC
IP Rating	IP68
Lens Cover	Polycarbonate Clear
Housing	Aluminium
Width	426mm
Warranty	2 Years

PART NUMBERS

Combo Beam	DVC120LEDE
------------	------------



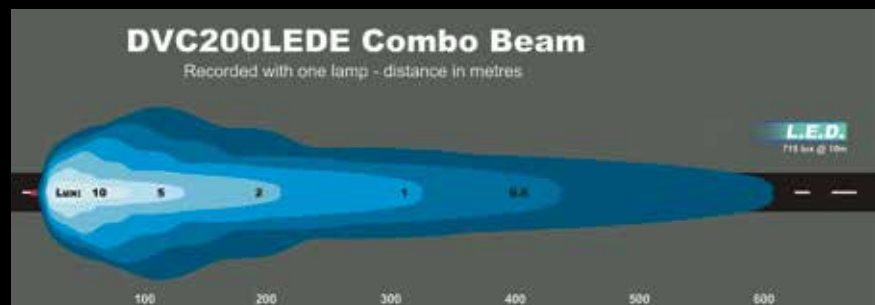
The Commander 12-Inch 120W LED light bar is the smallest in its range. This compact 10,660 lumen dual row light bar is cased in a diecast aluminium housing and includes waterproof connections. With a combo, flood (90 degree) and spot (8 degree) beam pattern, it has many potential applications.

SPECIFICATIONS

Light Output	17,600 Lumens
Light Source	40 x 5W Cree L.E.D's
Current Draw	8.2A @ 12V
Vibration	15G rms
Wattage	200 Watts 6000k
Voltage	10V-32V DC
IP Rating	IP68
Lens Cover	Polycarbonate Clear
Housing	Aluminium
Width	635mm
Warranty	2 Years

PART NUMBERS

Combo Beam	DVC200LEDE
------------	------------



The Commander 20-Inch 200W LED light bar combines 2 rows of 100 watt cree LED's with a superior optical PC lens material to give the brightest and most efficient light on the market.

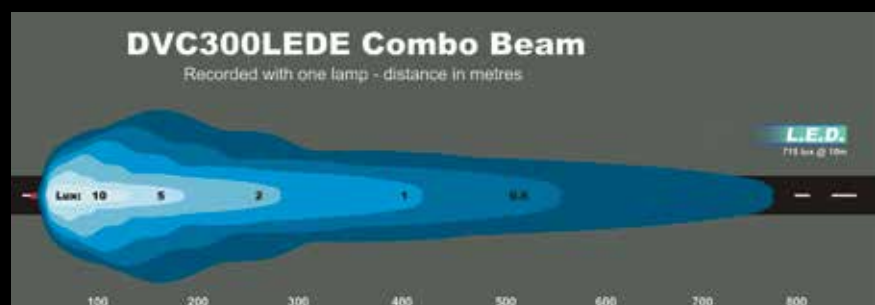
The PC optical lenses used by each LED enhances the beams intensity by 50% without using any more current draw from the battery.

SPECIFICATIONS

Light Output	26,400 Lumens
Light Source	60 x 5W Cree L.E.D's
Current Draw	13A @ 12V
Vibration	15G rms
Wattage	300 Watts 6000k
Voltage	10V-32V DC
IP Rating	IP68
Lens Cover	Polycarbonate Clear
Housing	Aluminium
Width	885.98 mm
Warranty	2 Years

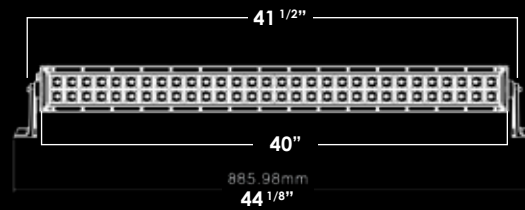
PART NUMBERS

Combo Beam	DVC300LEDE
------------	------------



The Commander 30-Inch 300W LED light bar is mainly used for larger vehicles and trucks. The diecast aluminum housing gives a strong and durable casing whilst not being so heavy that it affects the performance of the vehicle it's placed on.

COMMANDER LIGHT BAR - 400W

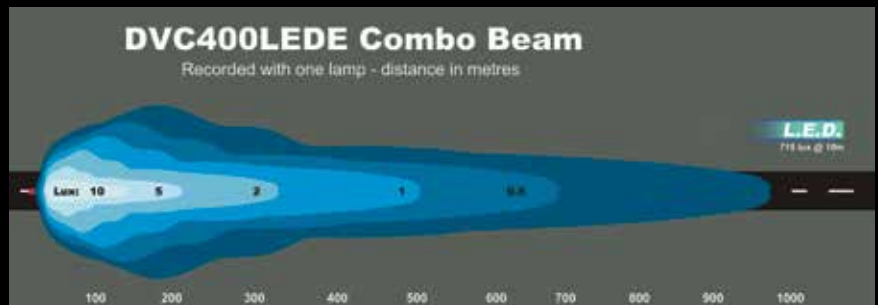


SPECIFICATIONS

Light Output	35,200 Lumens
Light Source	80 x 5W Cree L.E.D.'s
Current Draw	17A @ 12V
Vibration	15G rms
Wattage	400 Watts 6000k
Voltage	10V-32V DC
IP Rating	IP68
Lens Cover	Polycarbonate Clear
Housing	Aluminium
Width	1136.87mm
Warranty	2 Years

PART NUMBERS

Combo Beam	DVC400LEDE
------------	------------

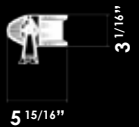
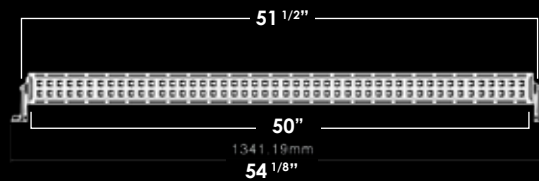


The Commander 40-Inch 400W LED light bar is amplified by a superior optical PC lens material to give the brightest and most efficient light on the market.

With a combo, flood (90 degree) and spot (8 degree) beam pattern, this lightbar gives a clear and broad picture of whatever it's pointed at.



COMMANDER LIGHT BAR - 480W

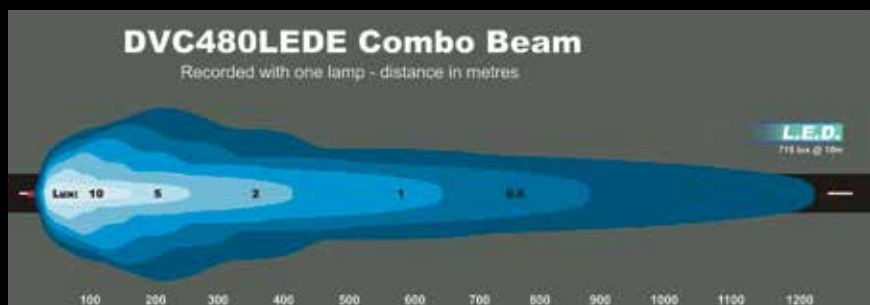


SPECIFICATIONS

Light Output	43,200 Lumens
Light Source	96 x 5W Cree L.E.D's
Current Draw	18A @ 12V
Vibration	15G rms
Wattage	480 Watts 6000k
Voltage	10V-32V DC
IP Rating	IP68
Lens Cover	Polycarbonate Clear
Housing	Aluminium
Width	1341.19mm
Warranty	2 Years

PART NUMBERS

Combo Beam	DVC480LEDE
------------	------------

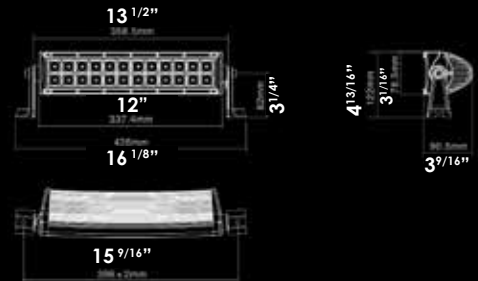


The Commander 50-Inch 480W LED light bar illuminates a 90 degree angle with a 8 degree central beam making nighttime driving safer than its even been.

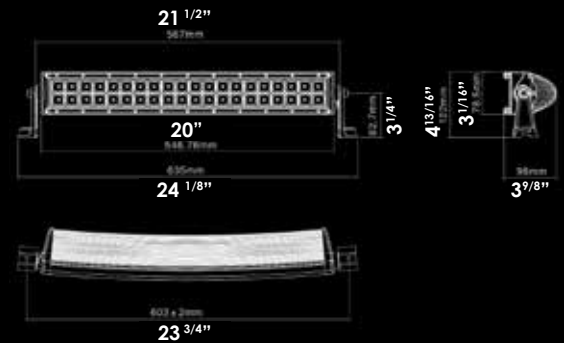
Its strong, high impact diecast aluminium housing and IP 68 waterproof rating make it fit for even the most extreme environment.



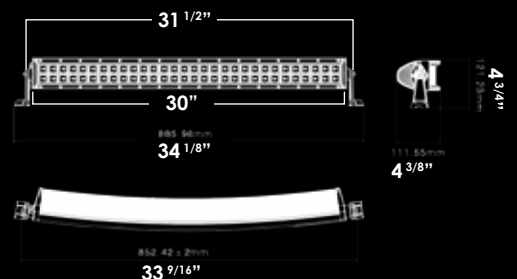
ECLIPSE LIGHT BAR - 120W



ECLIPSE LIGHT BAR - 200W



ECLIPSE LIGHT BAR - 300W

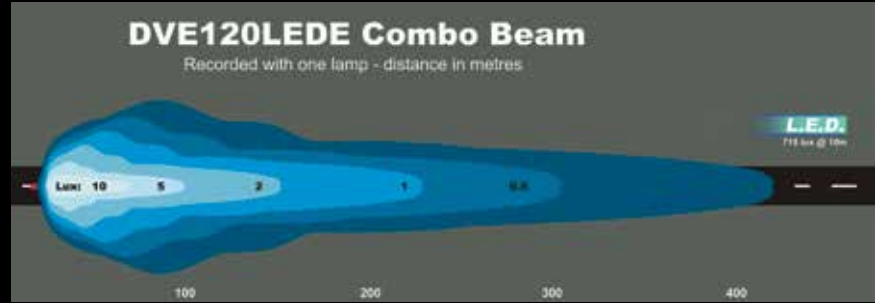


SPECIFICATIONS

Light Output	10,660 Lumens
Light Source	24 x 5W Cree L.E.D.'s
Current Draw	4.2A @ 12V
Wattage	120 Watts
Voltage	10V-30V DC
IP Rating	IP68
Mounting Bracket	Alu Firm Bracket
Width	426mm
Warranty	2 Year

PART NUMBERS

Combo Beam	DVE120LEDE
------------	------------



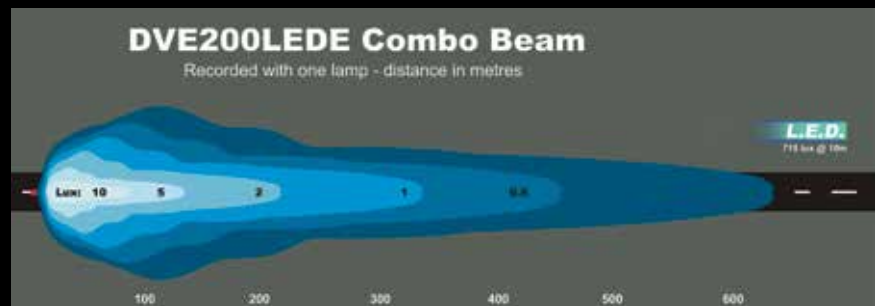
The Eclipse 120W light bar is the smallest curved light bar available from Earthtrack. It is waterproof IP68 rated and attaches through a strong aluminium bracket for maximum durability with minimum added weight.

SPECIFICATIONS

Light Output	17,600 Lumens
Light Source	40 x 5W Cree L.E.D.'s
Current Draw	8.2A @ 12V
Wattage	200 Watts
Voltage	10V-30V DC
IP Rating	IP68
Mounting Bracket	Alu Firm Bracket
Width	635mm
Warranty	2 Years

PART NUMBERS

Combo Beam	DVE200LEDE
------------	------------



The Eclipse 200W light bar combines 2 rows of 20 x 5 watt cree LED's with a superior optical PC lens material to give the brightest and most efficient light on the market.

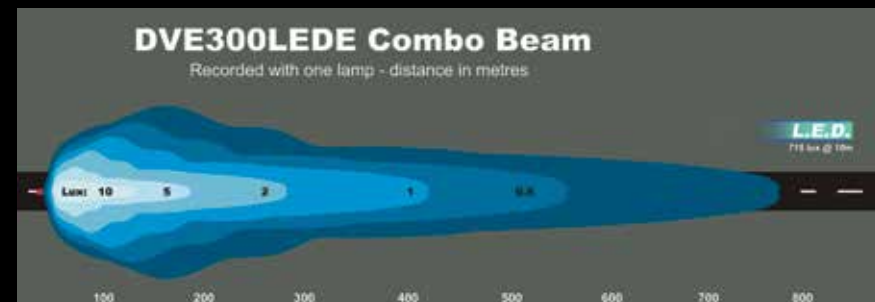
The PC optical lenses used by each LED enhances the beams intensity by 50% without using any more current draw from the battery.

SPECIFICATIONS

Light Output	26,400 Lumens
Light Source	60 x 5W Cree L.E.D.'s
Current Draw	13A @ 12V
Wattage	300 Watts
Voltage	10V-30V DC
IP Rating	IP68
Mounting Bracket	Alu Firm Bracket
Width	885.98mm
Warranty	2 Year

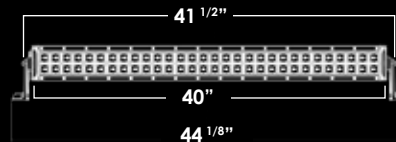
PART NUMBERS

Combo Beam	DVE300LEDE
------------	------------



The Eclipse 300W light bar is the most popular sized in the Eclipse curved range of lightbars. It is waterproof IP68 rated and attaches through a strong aluminium bracket for maximum durability with minimum added weight.

ECLIPSE LIGHT BAR - 400W

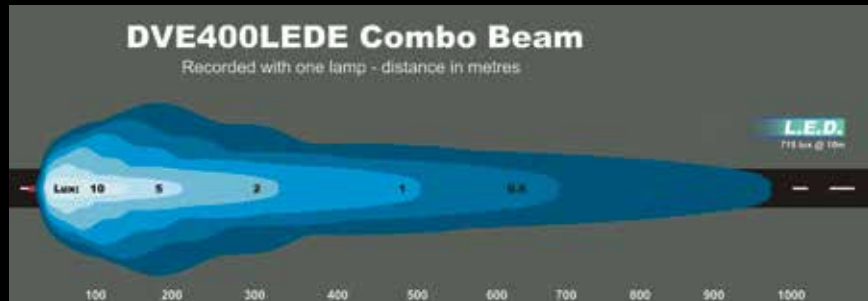


SPECIFICATIONS

Light Output	35,200 Lumens
Light Source	80 x 5W Cree L.E.D.'s
Current Draw	17A @ 12V
Wattage	400 Watts
Voltage	10V-30V DC
IP Rating	IP68
Mounting Bracket	Alu Firm Bracket
Width	1137mm
Warranty	2 Years

PART NUMBERS

Combo Beam	DVE400LEDE
------------	------------



The 400W Eclipse light bar is an option for those looking for a curved light bar with a bit more power.

The 2 rows of LED's allow for more power without making the lightbar too wide.



ECLIPSE LIGHT BAR - 480W

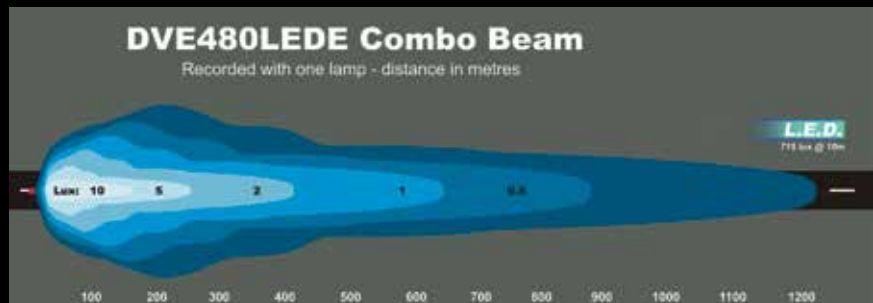


SPECIFICATIONS

Light Output	43,200 Lumens
Light Source	96 x 5W Cree L.E.D.'s
Current Draw	18A @ 12V
Wattage	480 Watts
Voltage	10V-30V DC
IP Rating	IP68
Mounting Bracket	Alu Firm Bracket
Dimensions (LxDxH)	1341.19mm
Warranty	3 Years

PART NUMBERS

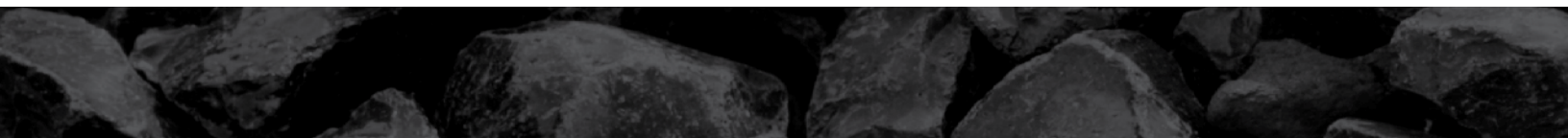
Combo Beam	DVE480LEDE
------------	------------



The Eclipse 480W lightbar is the most powerful in its range. With an output of 43,200 Lumens it can light well into the road ahead.

Curved lightbars offer a better width of lighting. This makes night driving safer as it allows the driver to notice any wildlife that may be crossing the vehicles path earlier.





DRIVING LIGHTS



earthtrack... keeping resources moving



NITRO 45W

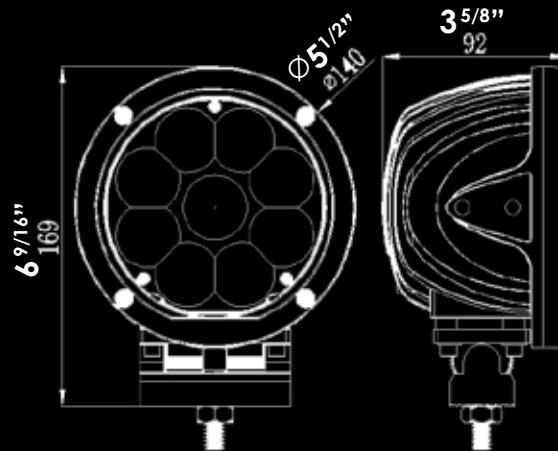
The Nitro 45W LED is a compact driving light with an impressive 7,650 lumen output per pair. With a polycarbonate lens, acrylic lens cover, tough alloy die-cast steel housing and stainless steel fixings, these driving lights are well suited to highway or off-road driving.

SPECIFICATIONS

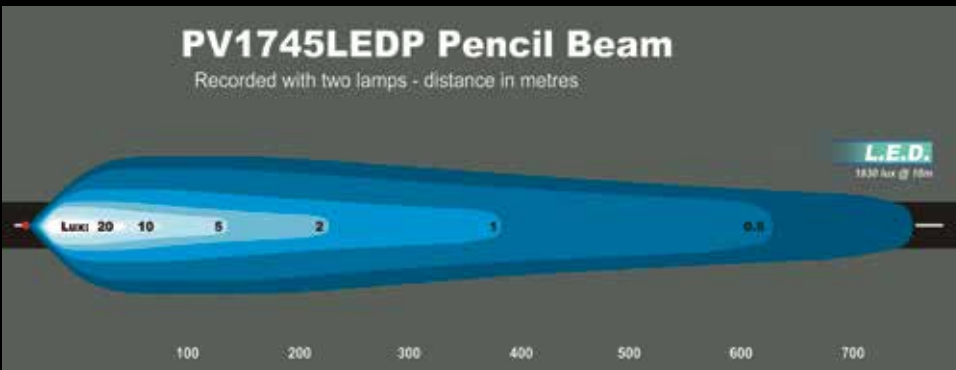
Wattage	45 Watt
Light Source	9pcs Cree 5W L.E.D.
Light Output	3,825 Lumens
Voltage	9V-60V DC
Current Draw	3.0A @ 12V
IP Rating	IP68
Connector Type	2 Pin Deutsch
Housing	Die-Cast Alloy
Lens Construction	Polycarbonate
Bracket	316 Stainless Steel
Colour	6000K
Lifespan	50,000 Hours
Vibration	20G rms
Net Weight	1.6kg
Mounting Suitable	Upright & Pendent
Beams Available	Pencil Beam
Warranty	2 Years

PART NUMBERS

Pencil Beam	PV1745LEDP
Spread Beam	PV1745LEDS



* 1 Complete wiring harness supplied per pair of lamps



NITRO 60W

The Power Vision Nitro 60W L.E.D. driving light features 12 x 5W Cree L.E.D.'s producing an exceptional 10,200 lumens per pair. With a polycarbonate lens, acrylic lens cover, tough alloy die-cast housing & stainless steel fixings, these lamps are well suited to highway or off road driving.

SPECIFICATIONS

Wattage	60 Watt
Light Source	12pcs Cree 5W L.E.D.
Light Output	5,100 Lumens
Voltage	9V-60V DC
Current Draw	4.0A @ 12V
IP Rating	IP68
Connector Type	2 Pin Deutsch
Housing	Die-Cast Alloy
Lens Construction	Polycarbonate
Bracket	316 Stainless Steel
Colour	6000K
Lifespan	50,000 Hours
Vibration	20G rms
Net Weight	2.2kg
Mounting Suitable	Upright & Pendent
Beams Available	Pencil Beam
Warranty	2 Years

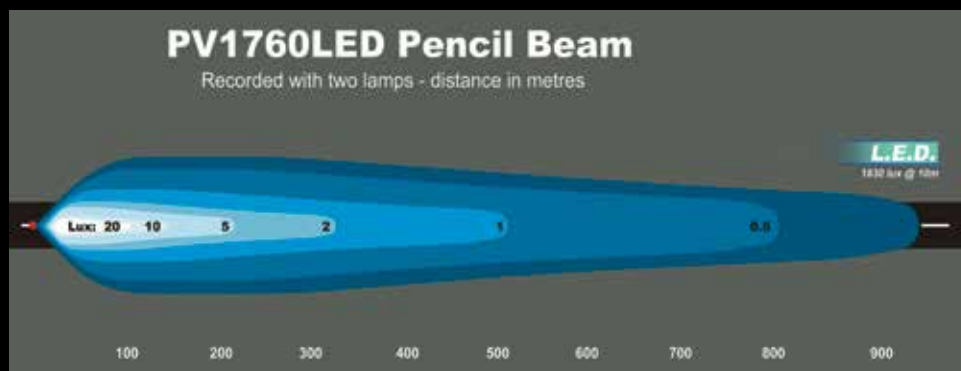
PART NUMBERS

Pencil Beam	PV1760LEDP
Spread Beam	PV1760LEDS

* 1 Complete wiring harness supplied per pair of lamps



- 10 WATT L.E.D.'s
- 10V - 30V MULTI-VOLT
- IP-68 WATERPROOF
- 50,000hr LIFESPAN
- 15G RMS VIBRATION
- AL HOUSING
- IMPACT RESISTANT
- LOW POWER DRAW



NITRO 70W

The Power Vision Nitro 70W L.E.D. driving light features 7 high output 10W Cree L.E.D.'s producing an exceptional 13,300 lumens per pair. With a polycarbonate lens, acrylic lens cover, tough alloy die-cast housing & stainless steel fixings, these lamps are well suited to highway or off road driving.

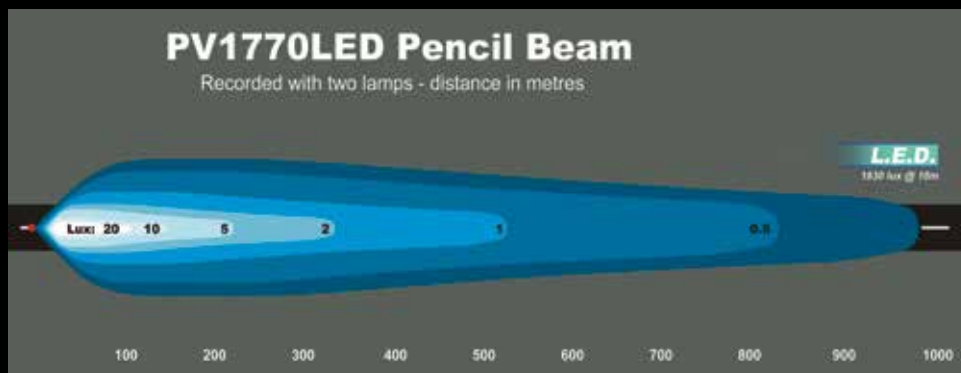
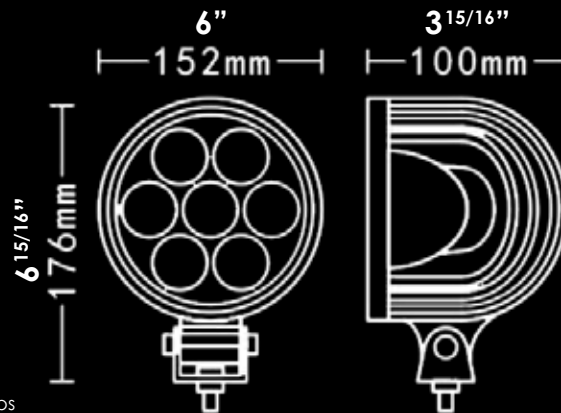
SPECIFICATIONS

Wattage	70 Watt
Light Source	Cree 10W L.E.D.
Light Output	6650 Lumens
Voltage	10V-30V DC
Current Draw	5.0A @ 12V
IP Rating	IP68
Connector Type	2 Pin Deutsch
Housing	Die-Cast Alloy
Lens Construction	Polycarbonate
Bracket	316 Stainless Steel
Colour	6000K
Lifespan	50,000 Hours
Vibration	15.6G rms
Net Weight	1.8kg
Mounting Suitable	Upright & Pendent
Beams Available	Pencil Beam
Warranty	2 Years

PART NUMBERS

Pencil Beam	PV1770LEDP
-------------	------------

* 1 Complete wiring harness supplied per pair of lamps



Quattro[®] ELITE



Internal Ballast System -
Making fitment simple



Stainless Steels Fixings - To
secure your investment



Tough Polyamide
(Nylon) Rear Housing



Knurled Aiming Knobs for
easy adjustment



Waterproof Connectors - For
perfect, hassle free connections



Split Pins in Knurled Aiming knobs
- They can't be removed or vibrate
loose and help to avoid theft



DRIVING LIGHTS



Clear Polycarbonate Protective Covers - Avoid damage to your lamp



Large Reflector Size for maximum light output



Specialized H.I.D. Xenon Bulbs - Producing maximum light output



Spread & Pencil Beam options available



Quick Start Ballasts are also available



QUATTRO ELITE 2100



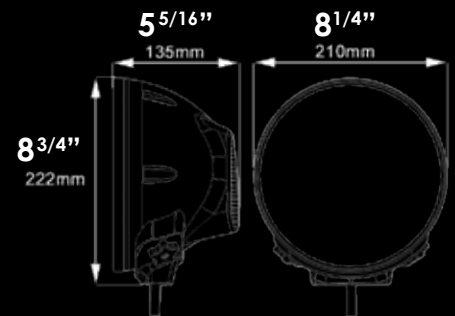
The Quattro Elite H.I.D. Xenon driving light is an Australian designed and assembled lamp, which is manufactured from the very latest high tech, composite materials.

They feature a die-cast aluminum free form reflector, which acts as a heat sink, ensuring maximum bulb life.

The design team have researched the very best features required in a driving light and have combined it into one ultimate lamp.

The Quattro Elites feature a multi-volt internal ballast and heavy duty, easy adjust mounting bracket which supports 1/3 of the lamp body.

All lamps come complete with clear lens covers and a wiring harness.



SPECIFICATIONS	35 Watt	55 Watt	70 Watt
Wattage	35 Watt	55 Watt	70 Watt
Light Source	H.I.D. Xenon	H.I.D. Xenon	H.I.D. Xenon
Light Output	3400 Lumens	5225 Lumens	6770 Lumens
Voltage	9V-32V	9V-32V	9V-32V
Current Draw	3.75A @ 12V	4.53A @ 12V	5.35A @ 12V
Operating Temp.	-40°C to +85°C	-40°C to +80°C	-40°C to +80°C
Connector Type	2 Pin Waterproof	2 Pin Waterproof	2 Pin Waterproof
Housing	Polyamide (Nylon)	Polyamide (Nylon)	Polyamide (Nylon)
Lens Construction	Polycarbonate	Polycarbonate	Polycarbonate
Reflector	Aluminum	Aluminum	Aluminum
Bracket	Alloy Easy Adjust	Alloy Easy Adjust	Alloy Easy Adjust
Colour	6000K Standard	6000K Standard	6000K Standard
Lifespan	± 3000 Hours	± 3000 Hours	± 3000 Hours
Diameter	210mm	210mm	210mm
Net Weight	2kg	2kg	2kg
Mounting Suitable	Upright & Pendent	Upright & Pendent	Upright & Pendent
Beams Available	Pencil & Spread	Pencil & Spread	Pencil & Spread
Warranty	3 Years	3 Years	3 Years
Harness Included	Yes*	Yes*	Yes*
PART NUMBERS	35 Watt	55 Watt	70 Watt
Pencil Beam - 6000K	PVQ2100P6	PVQ2100MP6	PVQ2100M7P6
Spread Beam - 6000K	PVQ2100S6	PVQ2100MS6	PVQ2100M7S6



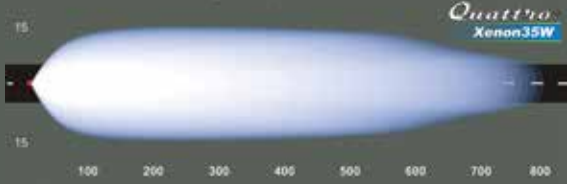
* Wiring Harness is only supplied with each pair (2) driving lights purchased

QUICK START BALLASTS are also available

BEAM PATTERNS

PVQ2100 Spread Beam - 35W

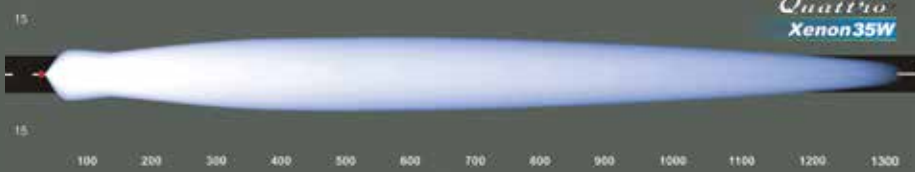
Recorded with single lamp - distance in metres



35W

PVQ2100 Pencil Beam - 35W

Recorded with single lamp - distance in metres



PVQ2100 Spread Beam - 55W

Recorded with single lamp - distance in metres



55W

PVQ2100 Pencil Beam - 55W

Recorded with single lamp - distance in metres



PVQ2100 Spread Beam - 70W

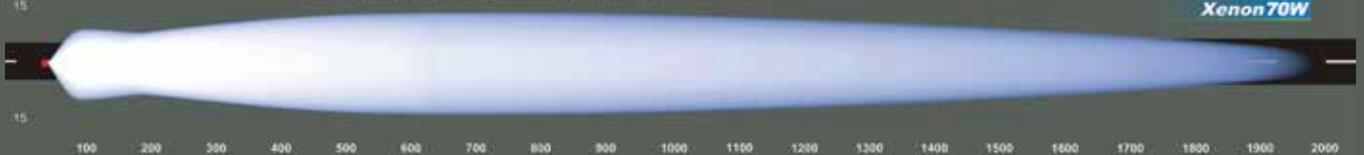
Recorded with single lamp - distance in metres



70W

PVQ2100 Pencil Beam - 70W

Recorded with single lamp - distance in metres



Quattro[®] ALLOY



Internal Ballast System -
Making fitment simple



Gortex Membrane Breather



Chrome & Black Alloy
Housings available



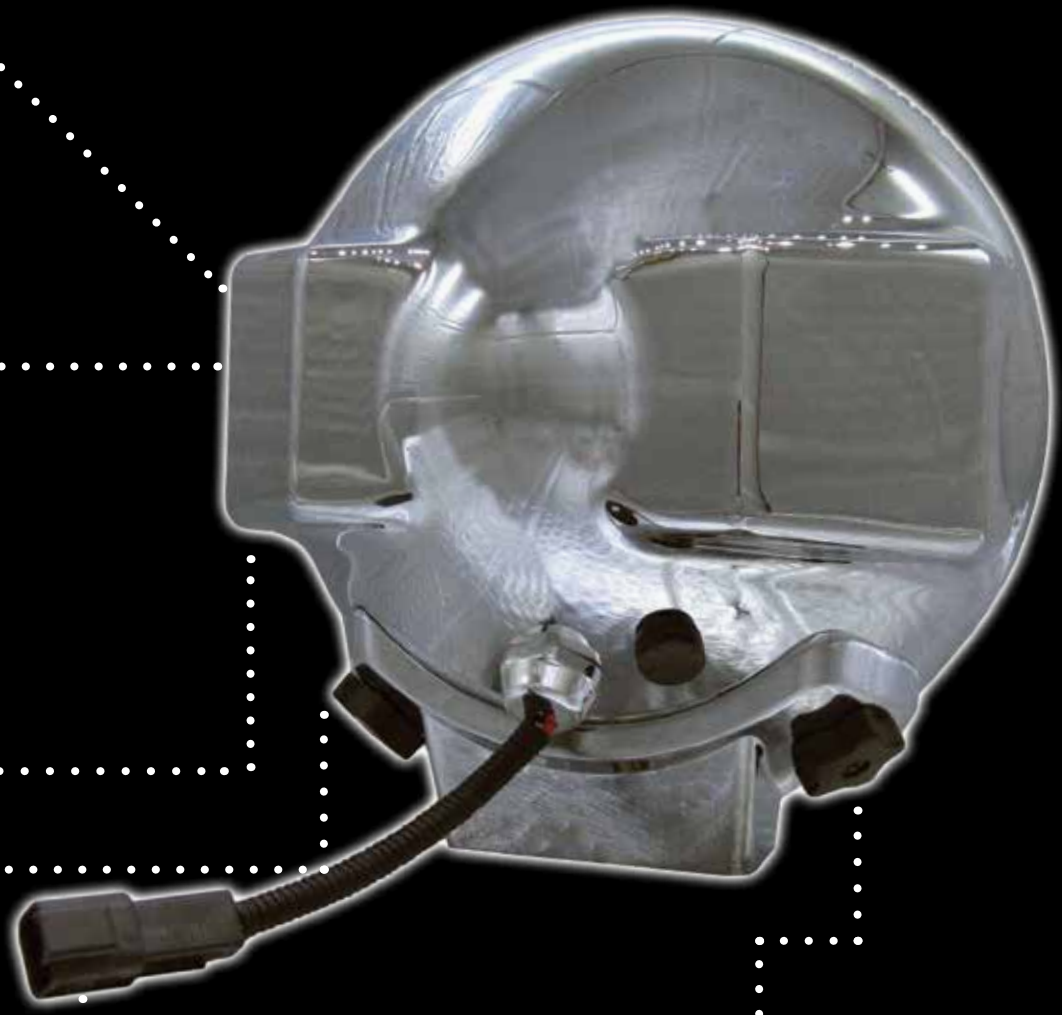
Knurled Aiming Knobs for easy
adjustment



Waterproof Deutsch
Connectors - For perfect,
hassle free connections



Split Pins in Knurled Aiming knobs
- They can't be removed or vibrate
loose and help to avoid theft



DRIVING LIGHTS



Clear Polycarbonate Protective Covers - Avoid damage to you lamp



Stainless Steel Fixings - to secure your investment

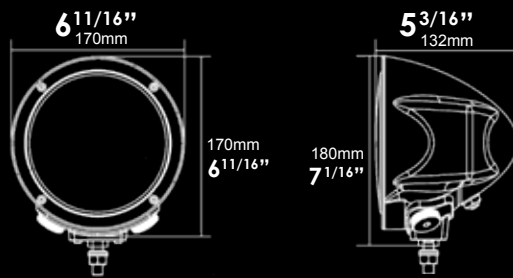


Spread & Pencil Beam options available

Quick Start Ballasts are also available



QUATTRO ALLOY 1700



QUICK START OPTION is also available

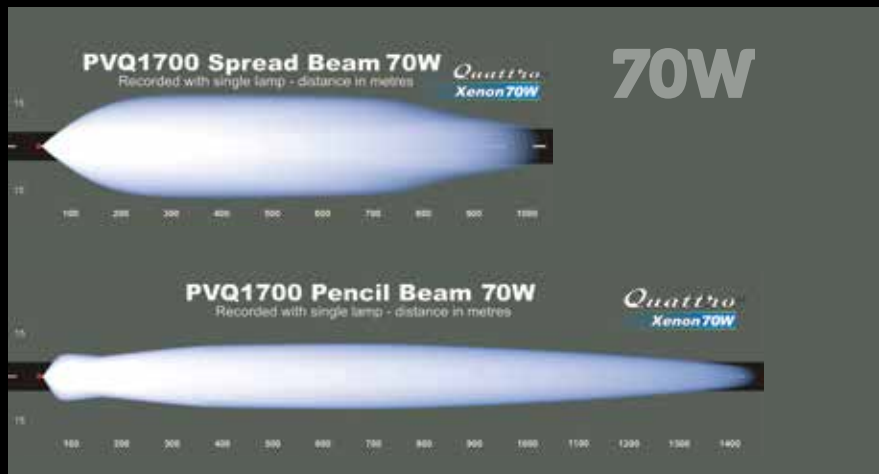
The Quattro Alloy 1700 H.I.D. Xenon driving lights give exceptional light for their size. These lights are especially useful where space is an issue. The brilliant mounting system makes these lamps low profile enabling them to be fitted on those hard to fit bull bars.

Their die-cast alloy body and polycarbonate lens cover makes them extremely durable and perfect for use in harsh environments.

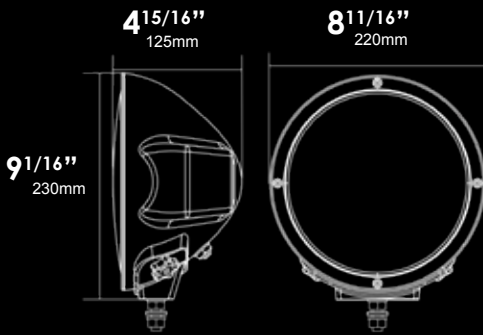
The Quattro Alloy 1700 comes with the ballast mounted internally and features plug and play waterproof connections.

All Quattro H.I.D. Xenon lamps come with 1 complete wiring harness for every pair of lamps.

SPECIFICATIONS	70 Watt
Wattage	70 Watt
Light Source	H.I.D. Xenon
Light Output	6770 Lumens
Voltage	9V-32V DC
Current Draw	5.35A @ 12V
Operating Temp.	-40°C to +80°C
Vibration	8.6G rms
IP Rating	IP65
Connector Type	Deutsch DT 2 Pin
Housing	Die-Cast Alloy
Lens Construction	Hardened Glass
Lens Cover	Clear Polycarb.
Bracket	Alloy Easy Adjust
Colour	6000K
Lifespan	± 3000 Hours
Diameter	170mm
Net Weight	2.25kg
Mounting Suitable	Upright & Pendent
Beams Available	Pencil & Spread
Warranty	2 Years
Harness Included	Yes*
PART NUMBER	70 Watt
Black - Pencil Beam	PVQ1700M7P
Black - Spread Beam	PVQ1700M7S
Chrome - Pencil Beam	PVQ1700M7PC
Chrome - Spread Beam	PVQ1700M7SC



QUATTRO ALLOY 2200



QUICK START OPTION is also available

* Wiring Harness is only supplied with each pair (2) driving lights purchased



The Quattro Alloy 2200 H.I.D. Xenon driving lights are the most popular in the Quattro Alloy series. The brilliant mounting system and average size enables these lamps to be fitted on most bull bars.

Their die-cast alloy body and polycarbonate lens cover makes them extremely durable and perfect for use in rough environments.

The Quattro Alloy 2200 comes with the ballast mounted internally and features plug and play waterproof connections.

All Quattro Alloy H.I.D. Xenon lamps come with 1 complete wiring harness for every pair of lamps.

SPECIFICATIONS	70 Watt
Wattage	70 Watt
Light Source	H.I.D. Xenon
Light Output	6770 Lumens
Voltage	9V-32V DC
Current Draw	5.35A @ 12V
Operating Temp.	-40°C to +80°C
Vibration	8.6G rms
IP Rating	IP65
Connector Type	Deutsch DT 2 Pin
Housing	Die-Cast Alloy
Lens Construction	Hardened Glass
Lens Cover	Clear Polycarb.
Bracket	Alloy Easy Adjust
Colour	6000K
Lifespan	± 3000 Hours
Diameter	220mm
Net Weight	3.24 kg
Mounting Suitable	Upright & Pendent
Beams Available	Pencil & Spread
Warranty	2 Years
Harness Included	Yes*
PART NUMBER	70 Watt
Black - Pencil Beam	PVQ2200M7P
Black - Spread Beam	PVQ2200M7S
Chrome - Pencil Beam	PVQ2200M7PC
Chrome - Spread Beam	PVQ2200M7SC

ALPHA



Internal Ballast System -
Making fitment simple



Tough Powder-coated
Pressed Steel Housing



Waterproof Connectors - For
perfect, hassle free connections



Ball & Knuckle Adjustment



55W & 70W Options Available

DRIVING LIGHTS



Stainless Steel Retaining Rim - Won't Rust



Clear Polycarbonate Protective Covers - Avoid damage to your lamp



H.I.D. Xenon Bulbs - Available in 55W & 70W



Spread & Pencil Beam options available

THE AFFORDABLE CHOICE

Quick Start Ballasts are also available

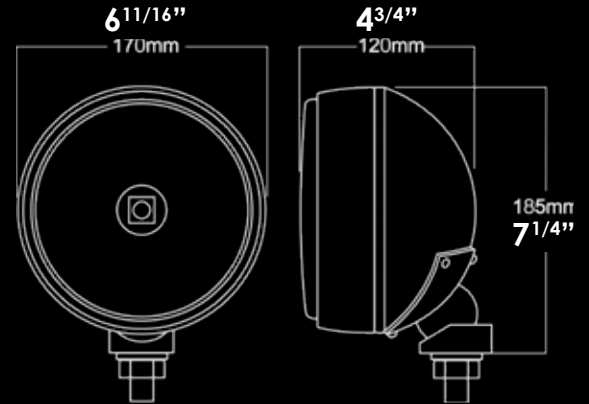


ALPHA 1700



The Alpha 1700 H.I.D. Xenon driving lights produce exceptional light for their size utilizing high output H.I.D. Xenon technology. Their pressed metal powder coated body, internal ballast system and polycarbonate lens cover makes them perfect for use by the recreational driver. The Alpha 1700 is available in 55W and 70W H.I.D. Xenon, with the option of upgrading them to Quick-start ballasts.

Every pair of Alpha driving lamps come complete with clear lens covers and full wiring harness.



55W H.I.D. Xenon

70W H.I.D. Xenon



SPECIFICATIONS	55 Watt	70 Watt
Wattage	55 Watt	70 Watt
Light Source	H.I.D. Xenon	H.I.D. Xenon
Light Output	5225 Lumens	6770 Lumens
Voltage	9V-32V DC	9V-32V DC
Current Draw	4.53A @ 12V	5.35A @ 12V
Operating Temp.	-40°C to +85°C	-40°C to +85°C
Connector Type	2 Pin Waterproof	2 Pin Waterproof
Housing	Pressed Metal	Pressed Metal
Lens Construction	Hardened Glass	Hardened Glass
Lens Cover	Clear Polycarb.	Clear Polycarb.
Bracket	Ball & Knuckle	Ball & Knuckle
Colour	6000K	6000K
Lifespan	± 3000 Hours	± 3000 Hours
Diameter	170mm	170mm
Net Weight	1.4kg	1.4kg
Mounting Suitable	Upright & Pendent	Upright & Pendent
Beams Available	Pencil & Spread	Pencil & Spread
Warranty	1 Year	1 Year
Harness Included	Yes*	Yes*
PART NUMBER	55 Watt	70 Watt
Pencil Beam	PVM1700P	PVM1700P7
Spread Beam	PVM1700S	PVM1700S7

* Wiring Harness is only supplied with each pair (2) driving lights purchased

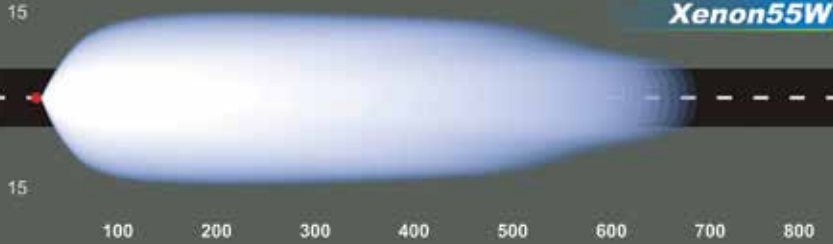
BEAM PATTERNS

PV1700 Spread Beam 55W

Recorded with single lamp - distance in metres

55W

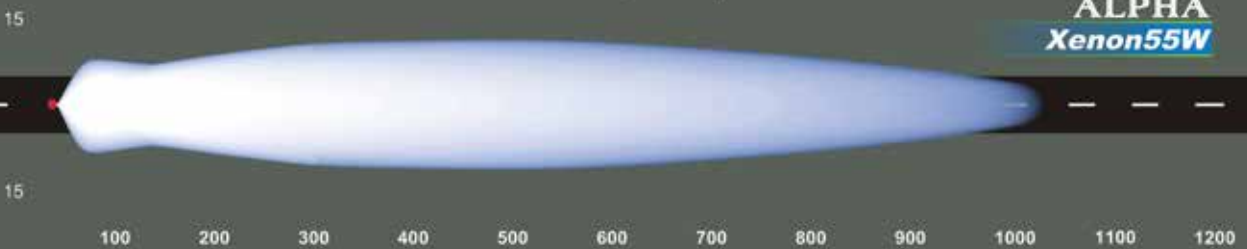
ALPHA
Xenon55W



PV1700 Pencil Beam 55W

Recorded with single lamp - distance in metres

ALPHA
Xenon55W

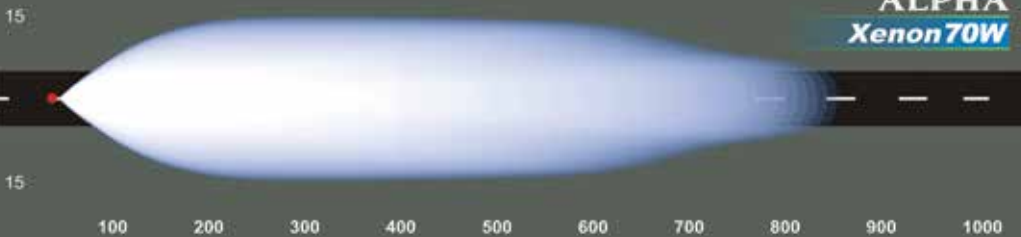


PV1700 Spread Beam 70W

Recorded with single lamp - distance in metres

70W

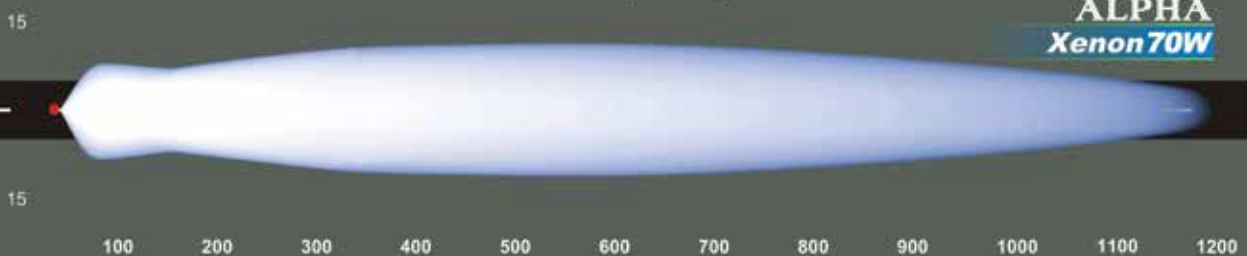
ALPHA
Xenon70W



PV1700 Pencil Beam 70W

Recorded with single lamp - distance in metres

ALPHA
Xenon70W



STRIKER 7000 & 9000

Both the Striker 7000 & 9000 H.I.D. driving lights have the same 55w power and 4300 Lumen light output. They are durable, long lasting and reliable. There is an option for a spread and pencil beam for both the 7000 and 9000.

Because the Striker H.I.D. range are made from durable ABS plastic rather than a more expensive diecast aluminium material, the Strikers are an extremely well priced option in our driving lights range.



STRIKER 7000 H.I.D.
7 inch



STRIKER 9000 H.I.D.
9 inch

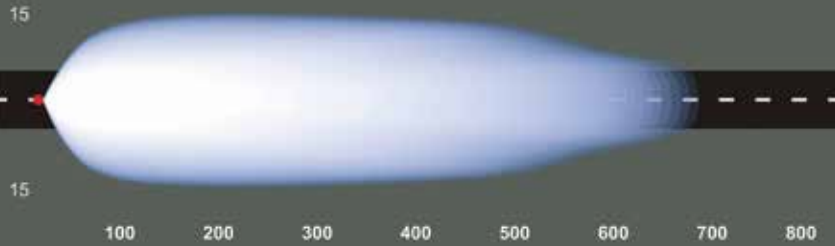


BEAM PATTERNS

PV7000S/PV9000S SPREAD BEAM

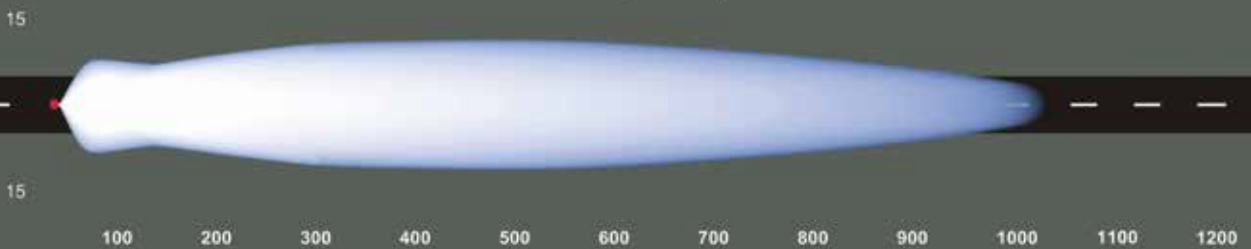
Recorded with single lamp - distance in metres

55W



PV7000P/PV9000P Pencil Beam

Recorded with single lamp - distance in metres



SPECIFICATIONS	7000	9000
Wattage	55 Watt	55 Watt
Light Source	H.I.D. Xenon	H.I.D. Xenon
Light Output	4300 Lumens	4300 Lumens
Voltage	9V-32V DC	9V-32V DC
Operating Temp.	-40°C to +105°C	-40°C to +105°C
Housing	ABS Plastic	ABS Plastic
Lens Construction	Hardened Glass	Hardened Glass
Bracket	Stainless Steel	Stainless Steel
Colour Temperature	6000K	6000K
Lifespan	± 3000 Hours	± 3000 Hours
Diameter	178mm	229mm
Net Weight	1.6kg	1.8kg
Beams Available	Pencil & Spread	Pencil & Spread
Warranty	1 Year	1 Year

PART NUMBER	7000	9000
Pencil Beam	PV7000P	PV9000P
Spread Beam	PV7000S	PV9000S



7 7/8" Diameter

10 1/4" Diameter



ACCESSORIES





R50 FLASHLIGHT RECHARGABLE

920
Lumens

A tough, compact flashlight with excellent light output and multiple beam settings, producing up to 920 lumen and a 680m light beam.

The housing has a premium type III hard anodized anti-abrasive finish. The lens has an anti-scratch coating. Waterproof to IPX-8 standard (2M underwater)

Comes with a rechargeable battery and charger in a case. Accessories include spare O-rings (2), spare switch cap, and holster.



X20 FLASHLIGHT **RECHARGABLE**

800
Lumens



High capacity flashlight with multiple beam settings produces up to 800 lumen and a powerful 600m long beam. The X20 features a stainless steel bezel, anti-roll notches, heat dissipation fins, and a two-switch user interface (rear on/off and a side mode control).

The housing has a premium type III hard anodized anti-abrasive finish. The lens has an anti-scratch coating. Waterproof to IPX-8 standard (2M underwater).

Comes with 2 rechargeable batteries and charger. Accessories include waterproof rings, tactical switch cap, and holster.

X30 FLASHLIGHT **RECHARGABLE**

2400
Lumens



This ultra-bright searching flashlight produces 2400 lumen, has multiple beam settings, and a tact switch on the handle for easy operation.

The housing has a premium type III hard anodized anti-abrasive finish. The lens has an anti-scratch coating. Waterproof to IPX-8 standard (2M underwater)

Comes with rechargeable batteries and charger. Accessories include spare O-rings (2), and spare switch cap.

HEAD LIGHT NON RECHARGABLE

**160
Lumens**



This high intensity focusable headlight has an adjustable beam and headband. The battery case is separate to help balance out the weight distribution. A dual switch system allows you to quickly change between the three settings (low, high, and SOS). Waterproof to IPX-5 standard (water resistant).

Anti-Theft Nuts

PART NUMBER	DESCRIPTION	UNITS
PV2ATN	Anti-Theft Nuts - 1/2"	Single
PV4ATN	Anti-Theft Nuts - 3/8"	Single
PV6ATN	Anti-Theft Nuts - 1/4"	Single



Wiring Harness

PART NUMBER	DESCRIPTION	UNITS
PV12H	Power Vision Wiring Harness (Suits Alpha & Quattro Elite)	Each
PVQ12H	Power Vision Wiring Harness Suits (Quattro Alloy)	Each





DISCLAIMER

IMPORTANT STATEMENT OF WARRANTY
Earthtrack reserves the right to change or discontinue a product and/or specifications without notice. All warranty periods only cover faulty workmanship and/or material components. Any claims on misused or disassembled products will not be recognized by Earthtrack. All information enclosed in this catalogue, to our knowledge, was correct at time of printing.

© Copyright to Earthtrack April 2015 - Any part of this publication cannot be copied or reproduced in full or in part, by any means, without prior written permission from Earthtrack.

Please Note: Ultra, Quattro, Power Vision, Earthtrack, Dura Vision, Virtual Daylight, Maxi Vision, Raptor, the Earthtrack logo & "Built to Last" are all Registered Trademarks. Earthtrack has registered the design of a number of products.





Earthtrack LED Lighting Catalogue

CALL US TOLL FREE:

1 855 897 7400

VISIT US ONLINE AT:

EARTHTRACKGROUP.COM



Distributed by